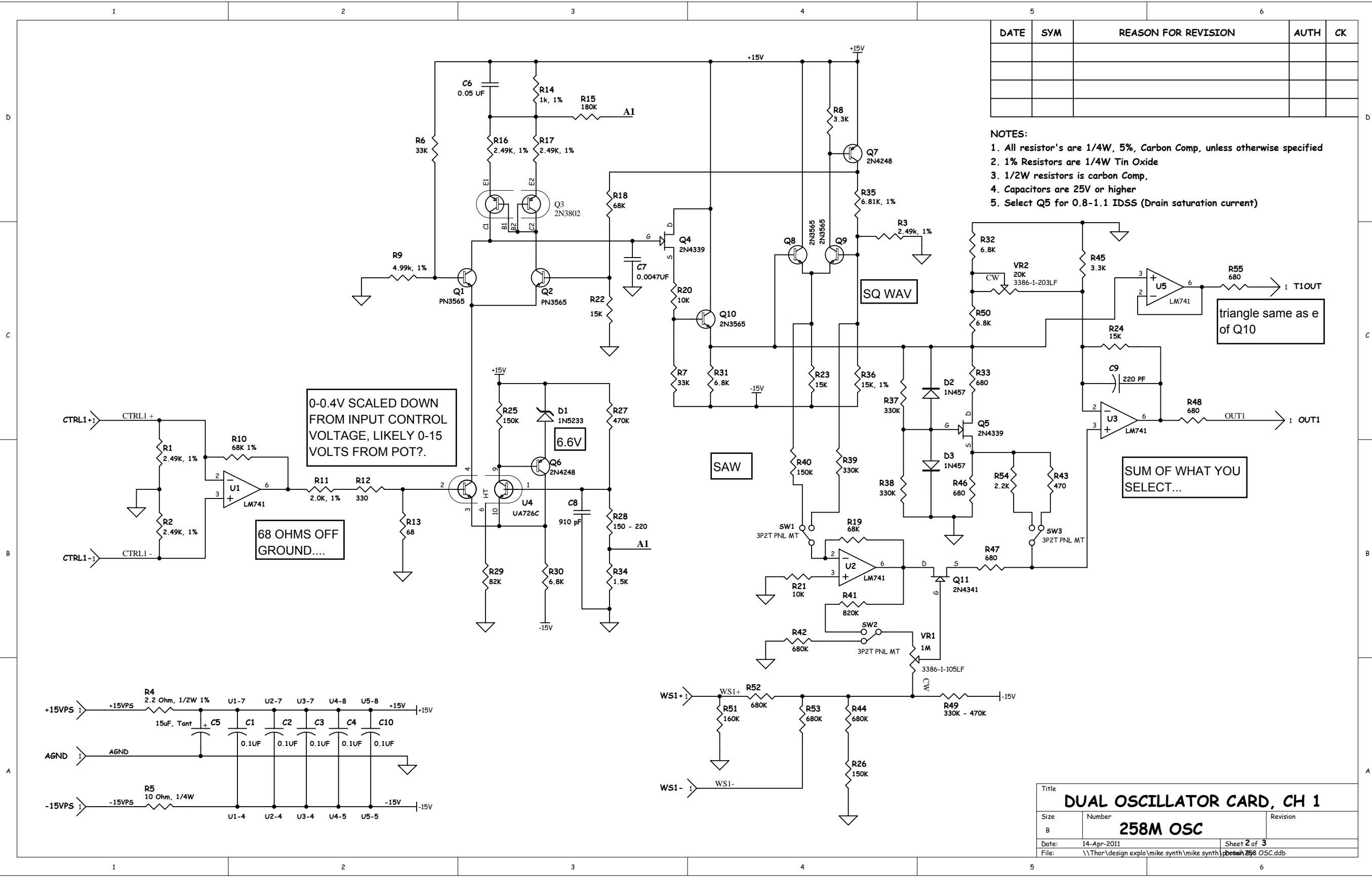


| | | | | | |
|-------|---|------------|----------------------|--|--|
| Title | | | 258M DUAL OSCILLATOR | | |
| Size | Number | | Revision | | |
| B | | | | | |
| Date: | 14-Apr-2011 | Sheet 1 of | 3 | | |
| File: | \\Thor\design\expl\mike synth\mike synth\proj\258M DUAL OSC.ddb | | | | |

| DATE | SYM | REASON FOR REVISION | AUTH | CK |
|------|-----|---------------------|------|----|
| | | | | |
| | | | | |
| | | | | |
| | | | | |

- NOTES:
1. All resistor's are 1/4W, 5%, Carbon Comp, unless otherwise specified
 2. 1% Resistors are 1/4W Tin Oxide
 3. 1/2W resistors is carbon Comp,
 4. Capacitors are 25V or higher
 5. Select Q5 for 0.8-1.1 IDSS (Drain saturation current)



0-0.4V SCALED DOWN FROM INPUT CONTROL VOLTAGE, LIKELY 0-15 VOLTS FROM POT?.

68 OHMS OFF GROUND....

6.6V

SQ WAV

SAW

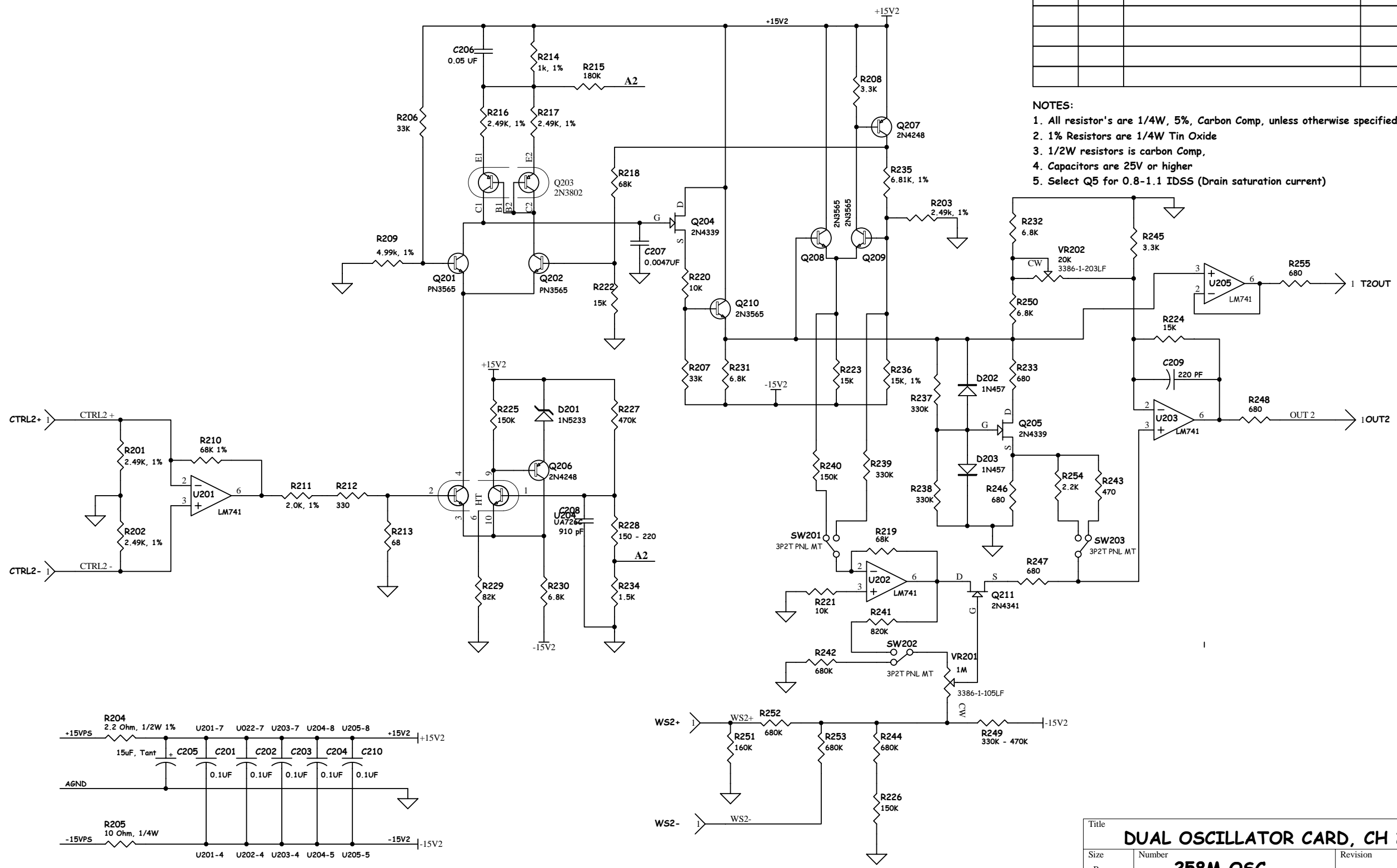
SUM OF WHAT YOU SELECT...

triangle same as e of Q10

| | | |
|-----------------------------------|--|--------------|
| Title | | |
| DUAL OSCILLATOR CARD, CH 1 | | |
| Size | Number | Revision |
| B | 258M OSC | |
| Date: | 14-Apr-2011 | Sheet 2 of 3 |
| File: | \\Thor\design explo\mike synth\mike synth\258M OSC.ddb | |

| DATE | SYM | REASON FOR REVISION | AUTH | CK |
|------|-----|---------------------|------|----|
| | | | | |
| | | | | |
| | | | | |

- NOTES:
1. All resistor's are 1/4W, 5%, Carbon Comp, unless otherwise specified
 2. 1% Resistors are 1/4W Tin Oxide
 3. 1/2W resistors is carbon Comp,
 4. Capacitors are 25V or higher
 5. Select Q5 for 0.8-1.1 IDSS (Drain saturation current)



| | | |
|-----------------------------------|--|--------------|
| Title | | |
| DUAL OSCILLATOR CARD, CH 2 | | |
| Size | Number | Revision |
| B | 258M OSC | |
| Date: | 14-Apr-2011 | Sheet 3 of 3 |
| File: | \\Thor\design\explo\mike synth\mike synth\258M OSC.ddb | |