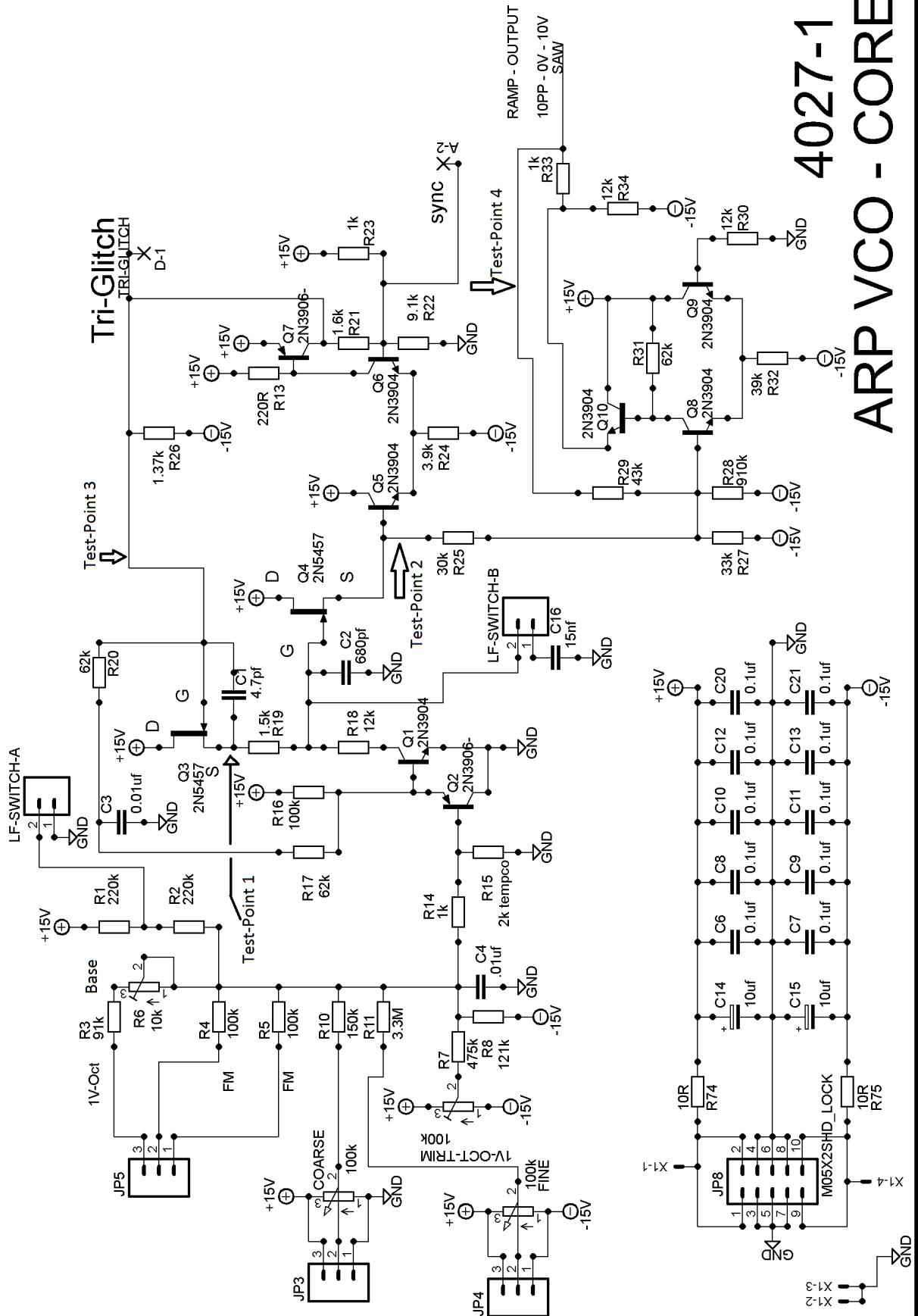


Schematic - Sheet 1



4027-1
ARP VCO - CORE

