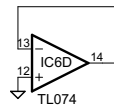
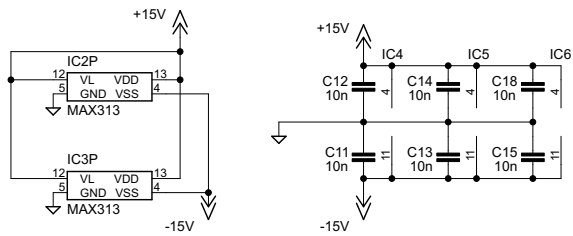
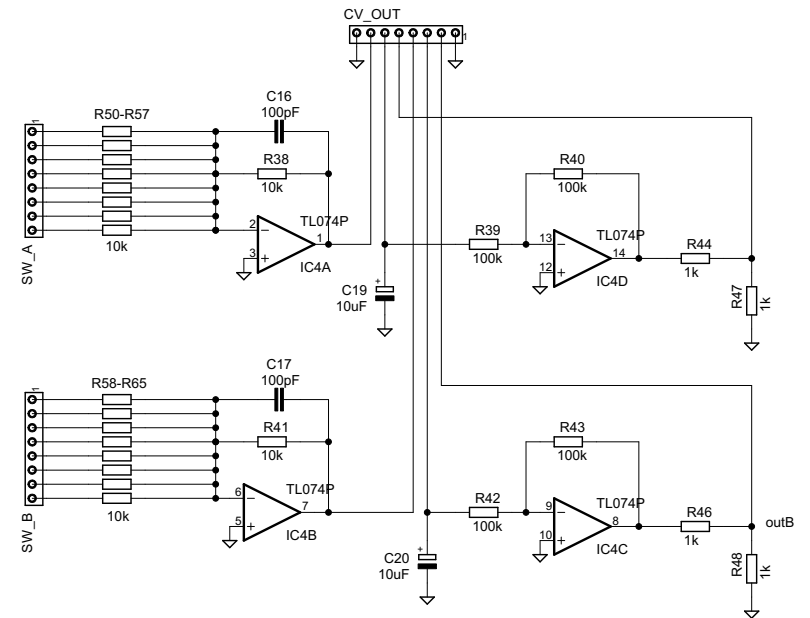
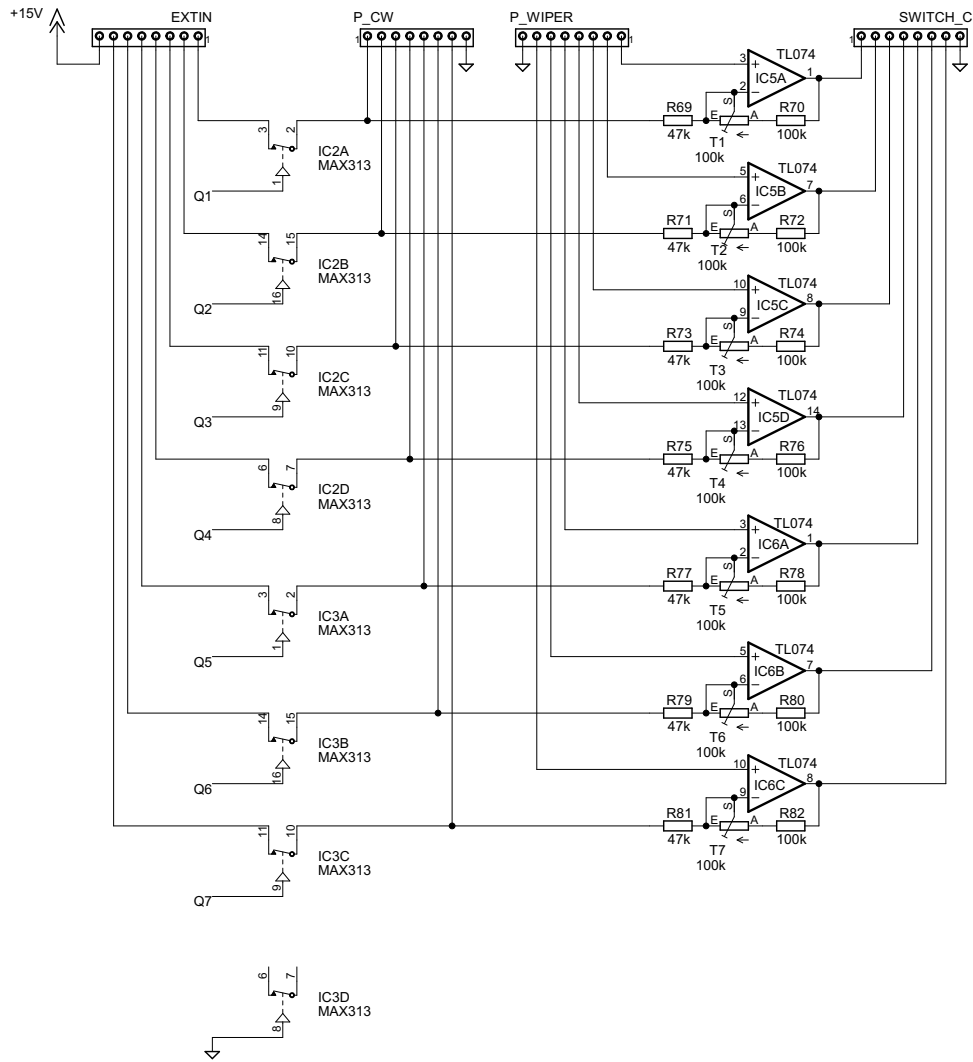
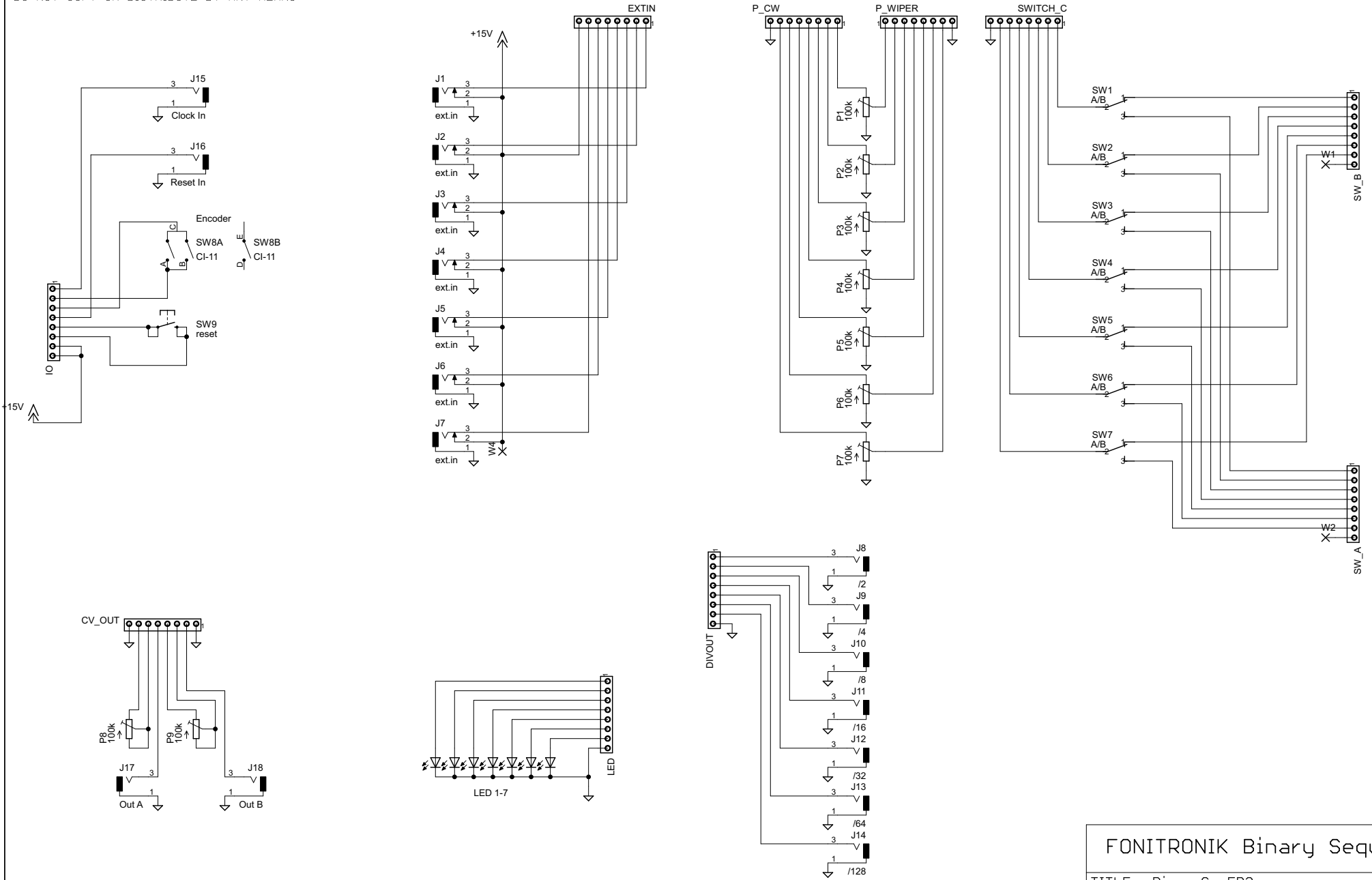


<b>FONITRONIK Binary Sequencer</b>	
TITLE: BinarySeqCB_v2 ©2012 Matthias Herrmann	
Document Number:	REV: 1
Date: 22.08.2014 12:13:26	Sheet: 1/2



FONITRONIK Binary Sequencer	
TITLE: BinarySeqCB_v2 (c)2012 Matthias Herrmann	
Document Number:	REV: 1
Date: 22.08.2014 12:13:26	Sheet: 2/2



<b>FONITRONIK Binary Sequencer</b>	
TITLE: BinarySeqFP2 (C)2012 Matthias Herrmann	
Document Number:	REV: 1
Date: 23.12.2014 06:28:24	Sheet: 1/1