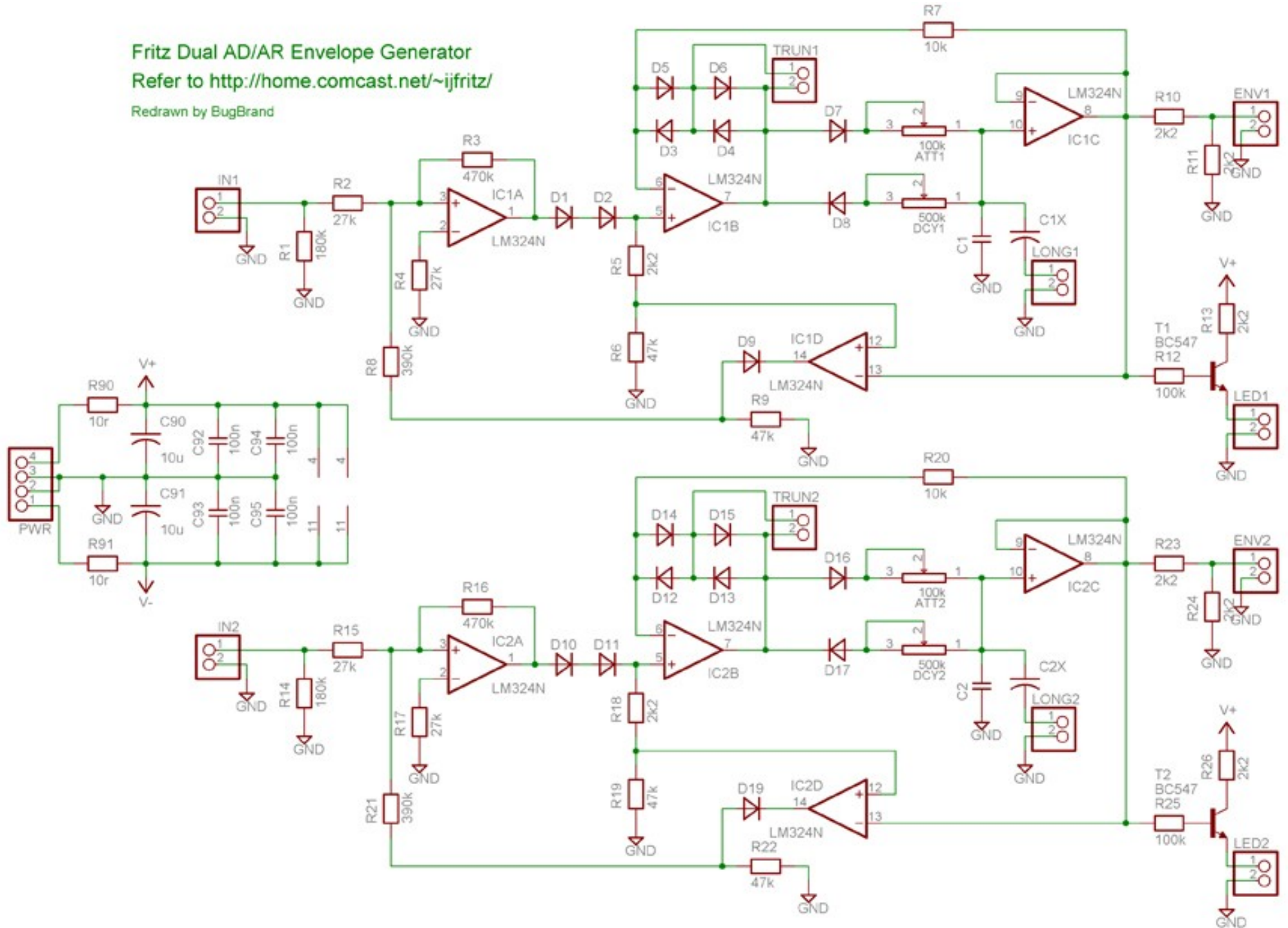
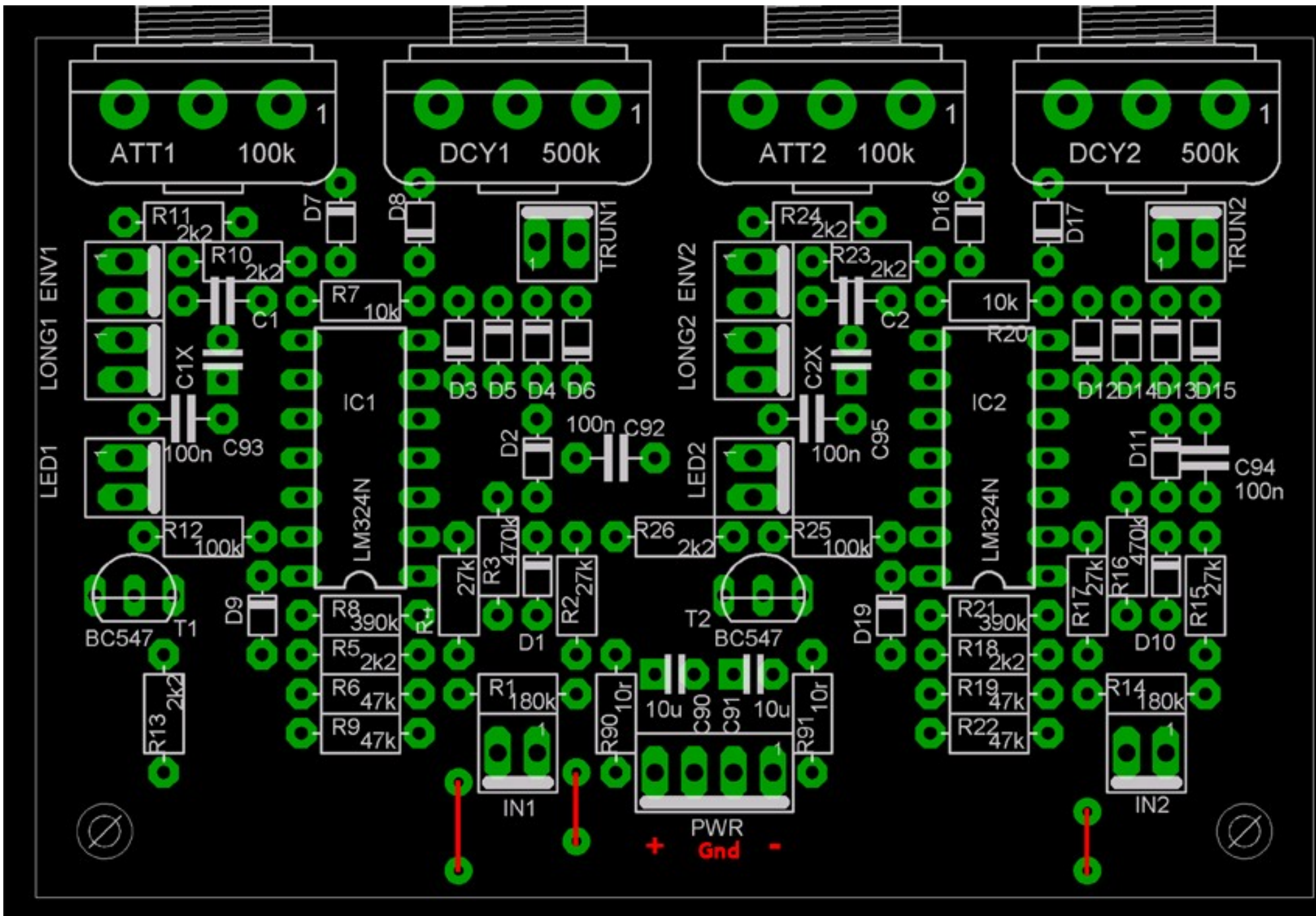


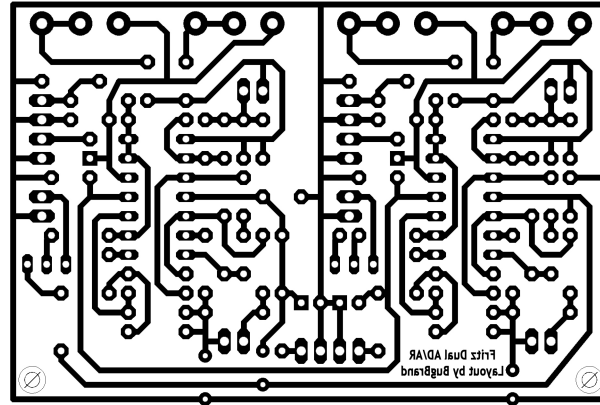
Fritz Dual AD/AR Envelope Generator

Refer to <http://home.comcast.net/~ijfritz/>

Redrawn by BugBrand







NON COMMERCIAL USE ONLY

Ian Fritz designs at: <http://home.comcast.net/~ijfritz/>

With further details at www.electro-music.com

(Synth DIY forums: <http://electro-music.com/forum/index.php?f=112>)

Notes:

- PCB image for Press & Peel - board size is 7.95 x 5.34 cm
- On board pots are spaced by 0.8" (20.32cm) - use standard 16mm Alpha pots
- Three wire jumpers are marked in red
- Original values of timing caps C1 / C2 was 4u7. Extra caps for switchable long decays added with C1X / C2X
- BC547 transistors for LED indicators can be replaced by 2N3904 if package is rotated through 180deg.

Layout & document by BugBrand 03/2008

www.bugbrand.co.uk