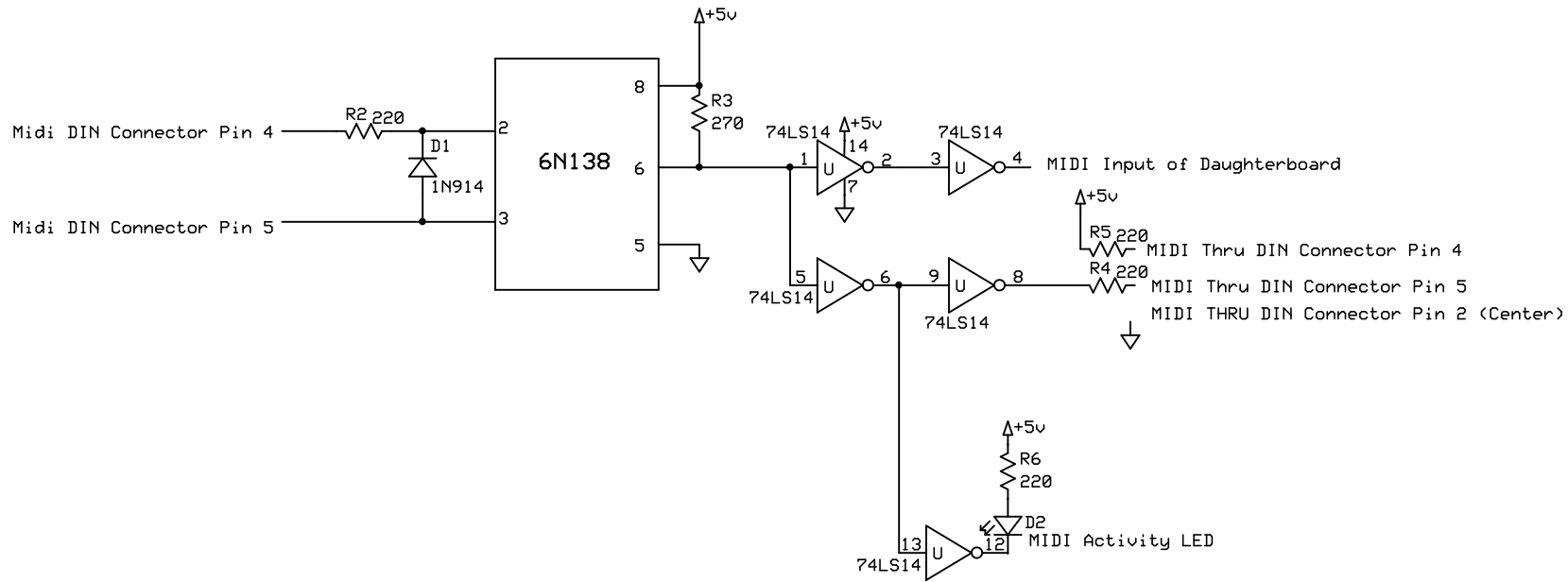
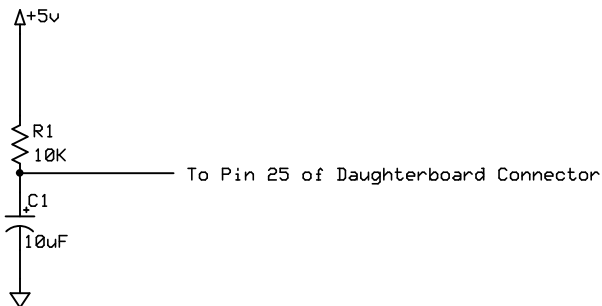


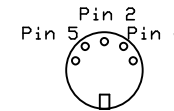
# MIDI Input and Thru Circuit



# Daughterboard Reset Circuit



# Backside View of MIDI DIN Connector



Electro-Music DIY Synth Forum		
GM MIDI Daughterboard Interface		
Dan Lavin	Rev 1.0	Page 1 of 1
	9/4/2007	