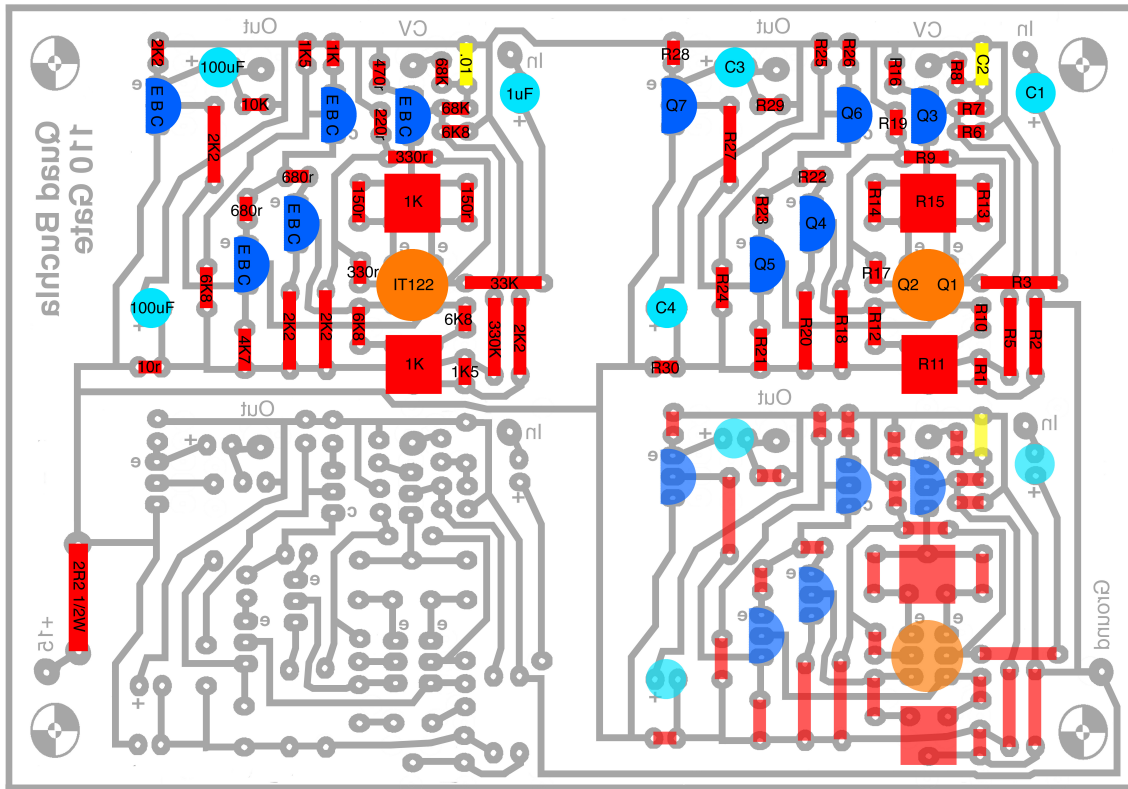
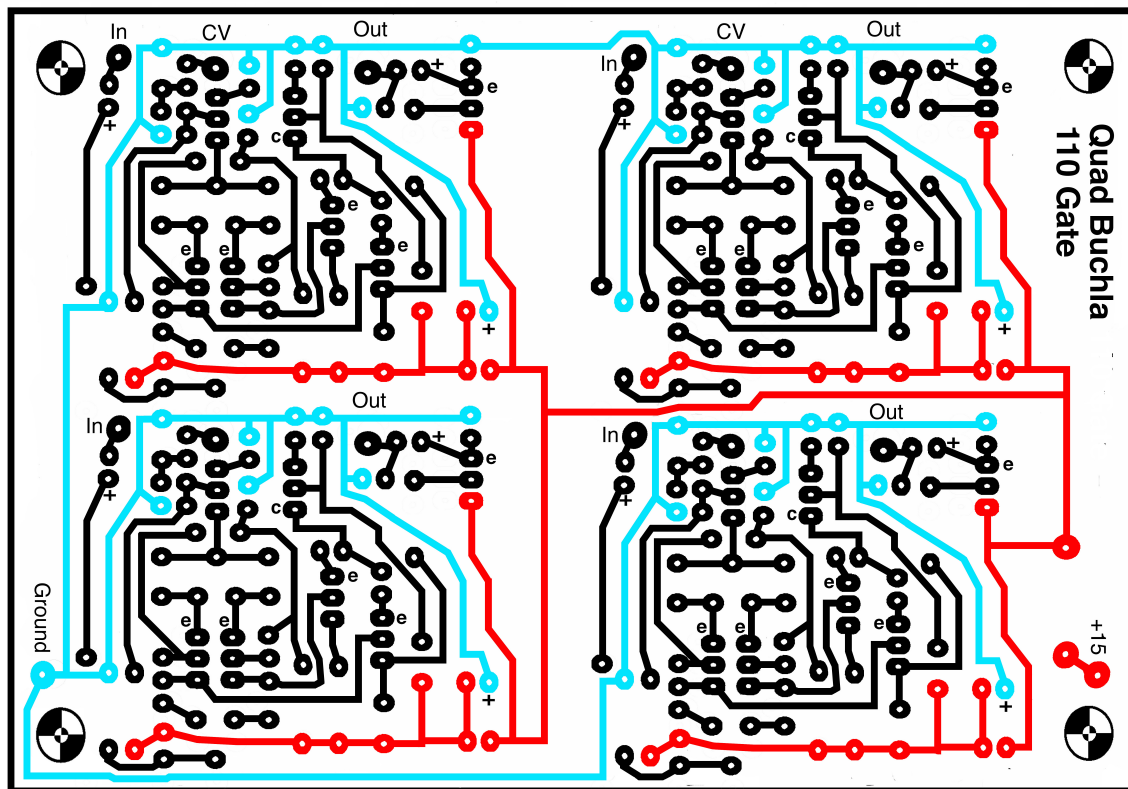


# Quad Buchla 110 Gate (VCA)



- 2N3565 or 2N3904
- IT122 dual transistor or possibly two 2N3904
- Electrolytic capacitor.  
C2 = minimum 35V.  
C1 and C3 = minimum 15V.



Power continuity