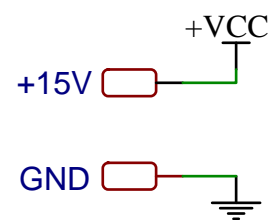
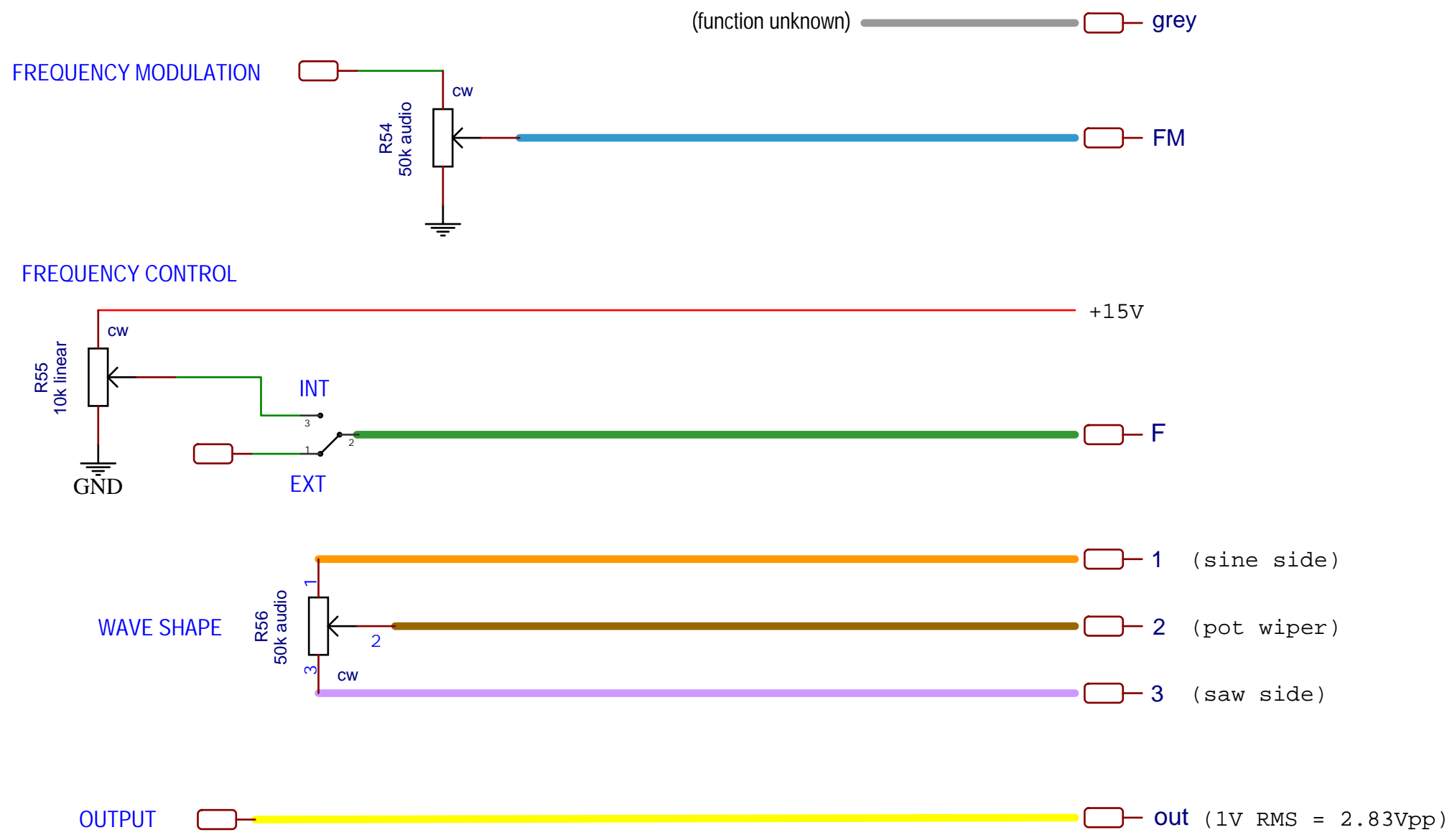


Q1,Q2: MD708B  
 Q3,5,6,12-14: 2N4916  
 Q4,8-11,16-18: 2N3565  
 Q7: U147  
 Q15: E101, select for  $I_{dss}$  0.5mA  
 "drop C7, R34"

1, 2, 3 : sine-saw pot (R56)  
 Q119,R157: not in orig. schem. but on prod. pcbs  
 C11 (47n): apparently 4n7 on production pcbs \*  
 R45 (3k3): apparently 4k7 on production pcbs \*\*  
 R35 is a 3k3 resistor in original schematic  
 D1-3: not specified. Very possibly 1N457  
 C1,C4,C5,C12 are tantalum in orig. schematic  
 Q7 P JFET pos. subs: 2N5020/2N5460/2N2607-08  
 Q15 N JFET pos. subs: J201/2SK118-R/J204/2N4338



TITLE: Buchla 158A VCO (redrawn)		REV: 1.5
Don Buchla 4-1-68	Company: fdi.recording@gmail.com	Sheet: 1/2
Date: 19-03-2022		Drawn By: F. de Izuzquiza



TITLE: Buchla 158A panel wiring		REV: 1.5
Company:		Sheet: 2/2
Date: 19-03-2022	Drawn By: F. de Izuzquiza	