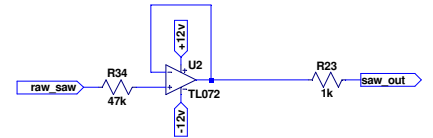
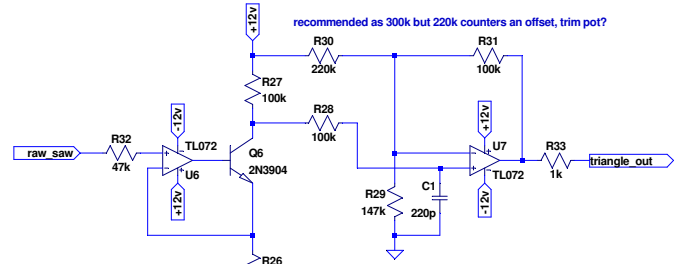
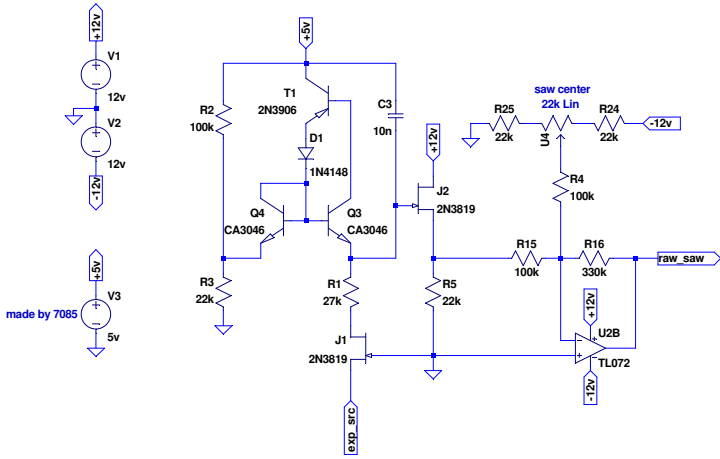


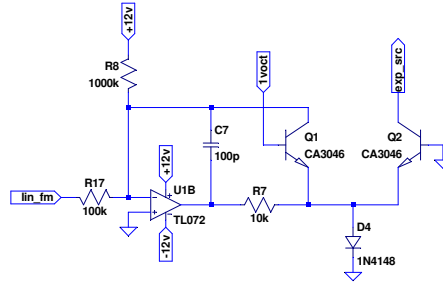
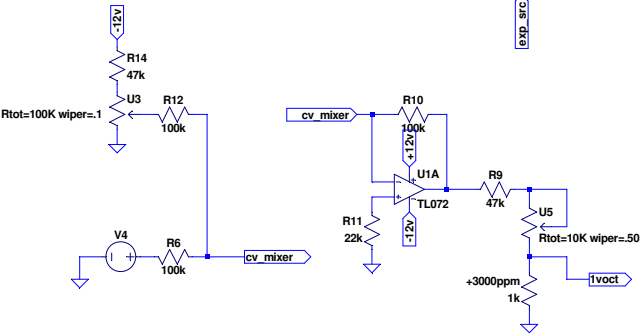
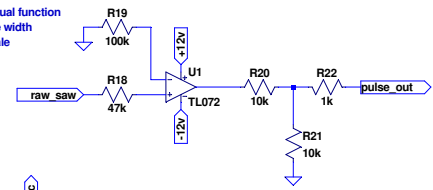
```

.wave d:saw_out.wav 16 44.1k v(saw_out)
.tran 6 uic
.include T1/TL072.301
.lib potentiometer.sub

```



use pot for dual function
- direct pulse width
- pwm cv scale



The CA3046 requires that the substrate pin has the lowest potential. This ensures that requirement is met.

