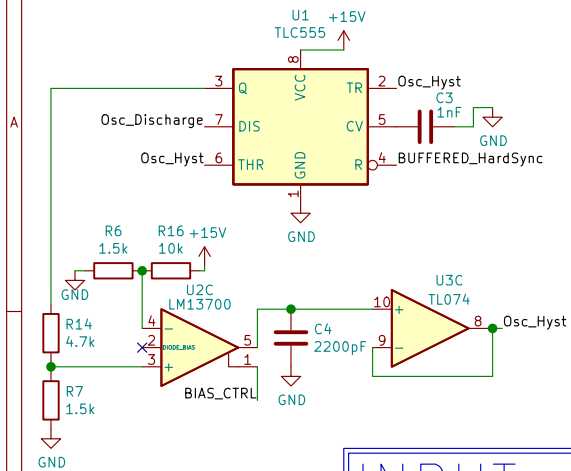
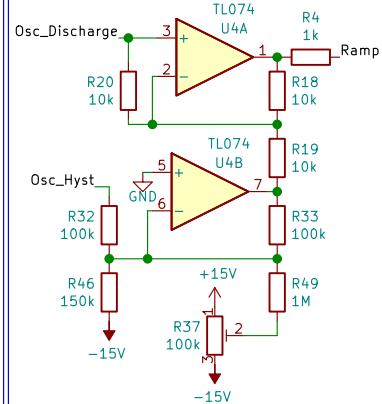


# OSCILLATOR CORE

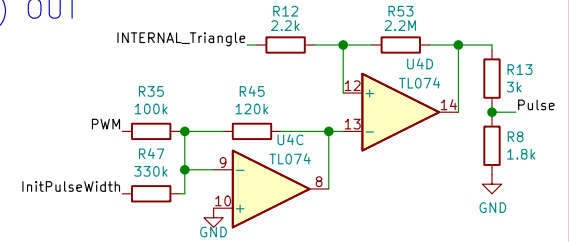


# OUTPUT SHAPING

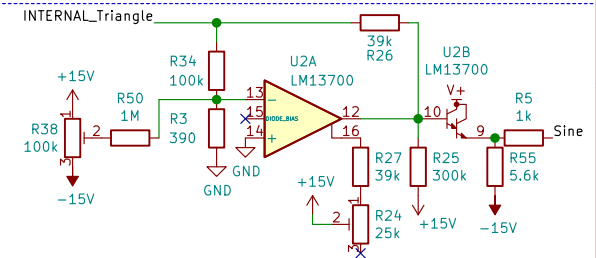
## RAMP (SAWTOOTH) OUT



# PULSE (SQUARE) OUT

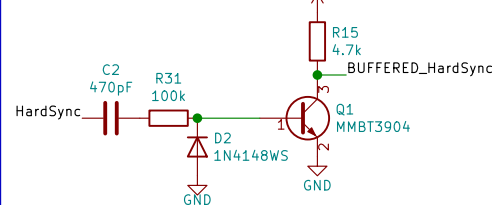


# SINE OUT

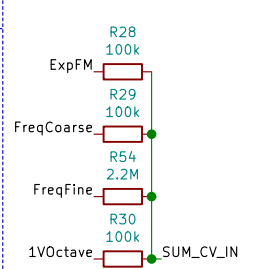


# INPUT

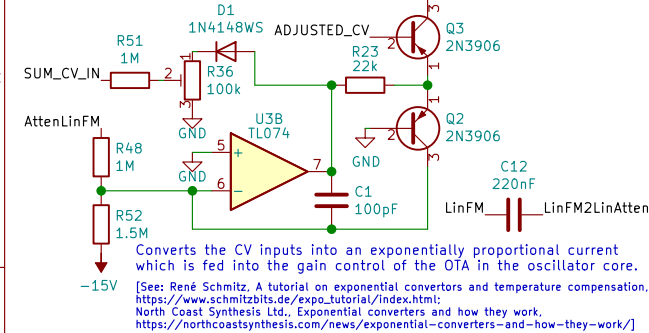
## HARD SYNC BUFFER



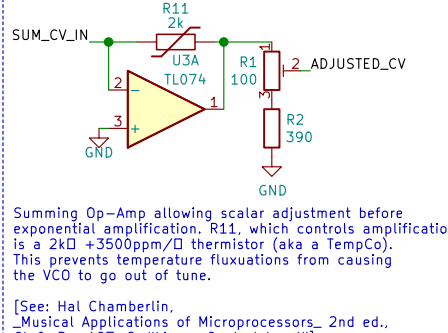
# SUMMED CV INPUT



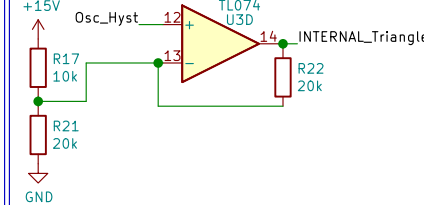
# EXPONENTIAL CONVERTER



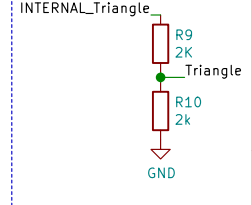
# SCALAR CV PROCESSOR



# INTERNAL TRIANGLE



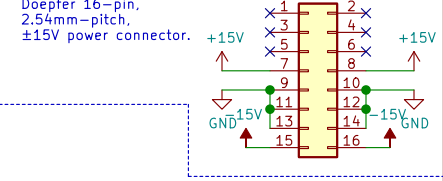
# TRIANGLE OUT



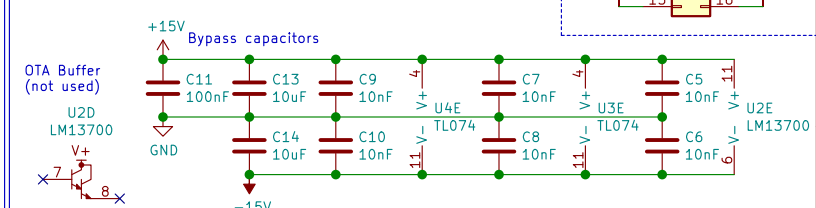
# POWER



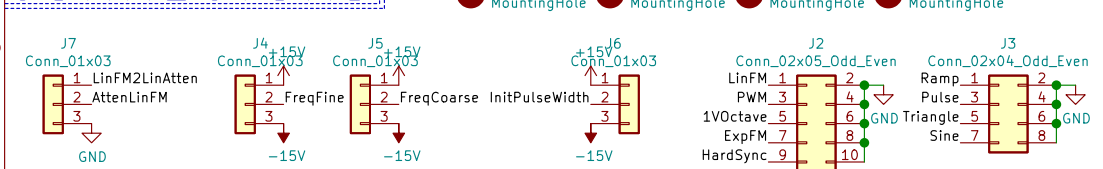
# POWER INPUT



# MISC.



# CONNECTORS



Nathan Schmidt

Sheet: /  
 File: thomas\_henry\_555VCO.sch

**Title: Thomas Henry 555 VCO (Refactored)**

Size: USLetter Date: 2021-02-02

KiCad E.D.A. kicad 5.1.9+dfsg1-1bpo10+1

Rev:

Id: 1/1