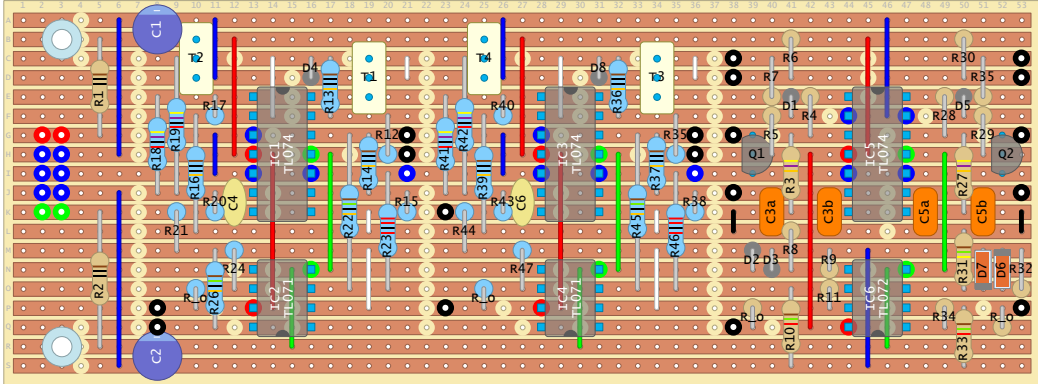


Channel 1 SAW 1 IN ○ Channel 2 SAW 2 IN ○ ○ P1CW P2CW ○
 MOD 1 IN ○ MOD 2 IN ○ ○ LED1+ LED2+ ○
 GND ○ GND ○ ○ LED1- LED2- ○



○ OUT 1 ○ SW1 Add IN ○ P1W P2W ○
 ○ SW1 Add C7 C8 ○ OUT 2 C9 C10 ○ LFO 1 OUT C11 C12 LFO 2 OUT ○

Yusynth: Saw Animator (mod)

<http://yusynth.net/Modular/EN/SAWANIM/index.html>

Verob Board

C1, C2
 C3a, C3b, C5a, C5b
 C4, C6
 C7, C8, C9, C10, C11, C12
 D1, D2, D3, D4, D5, D6, D7, D8
 Eyelet
 IC1, IC3, IC5
 IC2, IC4
 IC6
 Q1, Q2
 R1, R2
 R3, R18, R19, R20, R27, R41, R42, R43

19 x 53
 22uF
 1uF
 100pF
 100nF
 IN4148
 M3
 TL074
 TL074
 TL072
 BC547C
 100
 47K

R4, R28
 R5, R29
 R6, R30
 R7, R11, R34, R35
 R8, R21, R22, R24, R26, R31, R44, R45, R47
 R9, R23, R32, R46
 R10, R33
 R12, R13, R14, R15, R16, R17, R35, R36, R37, R38, R39, R40
 R25
 R_o, R_o, R_o, R_o
 T1, T3
 T2, T4

120K
 4.7K
 2.2K
 15K
 150K
 22K
 1.5K
 100K
 0Ω
 1K
 220K Lin
 100K Lin

R25 is not assigned.



The IC designators and terminals do not comply with the original schematic. Both channels are separated in this layout.

Decoupling caps (100nF) may be mounted on the back/solder side.

R_o are standard 1k output protection resistors (MOD).